

EN 16035:2012 HARDWARE PERFORMANCE SHEET EL495FU No: HPS210002-00

Building hardware identification

Position	Declaration	Required product information		Note/additional information																			
1	<i>Manufacturer</i>	ABLOY Oy, Joensuu, Finland		See 5.2.1																			
2	<i>Manufacturer's product reference as shown in fire test evidence</i>	Tested product: EL495FU Product No: A000303545 Product family: EL495, EL495FL, EL480, EL482, LC300, LC300x, LC301F, LC301Fx, LC303, LC305, LC305x, LC130, LC130x, LC132, LC132x, LE310, LE310x, LE314, LE314x		See 5.2.2																			
3	<i>Type of building hardware</i>	Electric lock		See 5.2.3																			
4	<i>Relevant EN standard</i>	EN 14846:2008		See 5.2.4																			
5	<i>Classification (in accordance with relevant hardware product standard)</i>	EN 14846	Classification <table border="1"> <tr> <td>1</td><td>2</td><td>3</td><td>4</td><td>5</td><td>6</td><td>7</td><td>8</td><td>9</td> </tr> <tr> <td>3</td><td>S</td><td>5</td><td>D</td><td>-</td><td>L</td><td>3</td><td>1</td><td>1</td> </tr> </table>	1	2	3	4	5	6	7	8	9	3	S	5	D	-	L	3	1	1	Characteristic: Category of use/Durability and load on latchbolt/Door mass and closing force/Suitability for use on fire / smoke doors/Safety/ Corrosion resistance, temperature and humidity/Security/Security - electrical function/Security - electrical manipulation	See 5.2.5
1	2	3	4	5	6	7	8	9															
3	S	5	D	-	L	3	1	1															
6	<i>Main dimensions</i>	Dimensions (height x width x depth) 211.6 mm x 21.5 mm x 53 mm. (Technical drawings with dimensions, e.g. lock body dimensions, etc. attached)		See 5.2.6																			
7	<i>Remarks</i>	EL495FU represents the whole product family as it has biggest fire load, with largest main dimensions. EL495FL and EL495 are equal size, fire load is equal (EL495FL) / smaller (EL495) EL495FU was tested without any intumescent seal. EL480, EL482 are smaller size Dimensions: 163.5 x 19.4 mm x 53 mm LC300, LC300x, LC301F, LC301Fx, LC303, LC305, LC305x, LC130, LC130x, LC132, LC132x, LE310, LE310x, LE314, LE314x are smaller size Dimensions: 163 mm x:21 mm x 52 mm (x -version are microswitch locks)																					

Test evidence use

This hardware performance sheet is only valid for doorset and/or openable windows as described in the table below.

1	<i>Material of doorset and/or openable window</i>	<input type="checkbox"/> Steel doorset and/or openable window
		<input type="checkbox"/> Timber doorset and/or openable window
		<input type="checkbox"/> Aluminium doorset and/or openable window
		<input checked="" type="checkbox"/> Metal framed glazed doorset and/or openable window
		<input type="checkbox"/> other
2	<i>Mounting of building hardware</i>	<input type="checkbox"/> surface mounted, exposed to fire
		<input type="checkbox"/> surface mounted, not exposed to fire
		<input checked="" type="checkbox"/> mortice mounted, fire on both sides
3	<i>Type of doorset and/or openable window</i>	<input checked="" type="checkbox"/> hinged
		<input type="checkbox"/> pivoted
		<input type="checkbox"/> sliding
		<input checked="" type="checkbox"/> single leaf doorset
		<input type="checkbox"/> double leaf doorset
		<input type="checkbox"/> primary (active) leaf
		<input type="checkbox"/> secondary (inactive) leaf
<input type="checkbox"/> other type		

Performance level(s)

	Performance	Fire resisting and/or smoke control doorset and/or openable window test evidence	Building hardware test evidence	Smoke control doorset and/or openable window test evidence	Durability of Self-closing
1	<i>Test method:</i>	<input checked="" type="checkbox"/> EN 1634-1	<input type="checkbox"/> EN 1634-2	<input type="checkbox"/> EN 1634-3	<input type="checkbox"/> EN 1191 <input type="checkbox"/> EN 12605
2	<i>Test report no.:</i>	EUF129-20001211-T1			
3	<i>Test report issued by:</i>	Eurofins Expert Services			
4	<i>Classification</i>	EN 13501-2		EN 13501-2	EN 14600
		E: 60 min EW: - min EI1: 20min EI2: 60 min		<input type="checkbox"/> Sa <input type="checkbox"/> Sm	<input type="checkbox"/> C0 (zero) <input type="checkbox"/> C1 (500) <input type="checkbox"/> C2 (10.000) <input type="checkbox"/> C3 (50.000) <input type="checkbox"/> C4 (100.000) <input type="checkbox"/> C5 (200.000)
5a	<i>Width of primary leaf (mm):</i>	1070			
5b	<i>Width of secondary leaf (mm)</i>	-			
6	<i>Door leaf height (mm)</i>	2110			
7	<i>Door thickness (mm)</i>	60			
8a	<i>Mass of primary leaf (kg)</i>				
8b	<i>Mass of secondary leaf (kg)</i>	-			
9	<i>Restrictions:</i>	-			
10	<i>Installation instructions</i>	EL495 EL495FU EL495 FL Installation (No. 951221)			
11	<i>Certification body for relevant hardware</i>	Eurofins Expert Services Oy			
12	<i>Prepared by:</i>	Abloy Oy			
13	<i>Date:</i>	2021-08-17			

Joensuu 2021-08-17
On behalf of Abloy Oy



Jari Kervinen, VP Mechanical Solutions

Joensuu 2021-08-17
On behalf of Abloy Oy

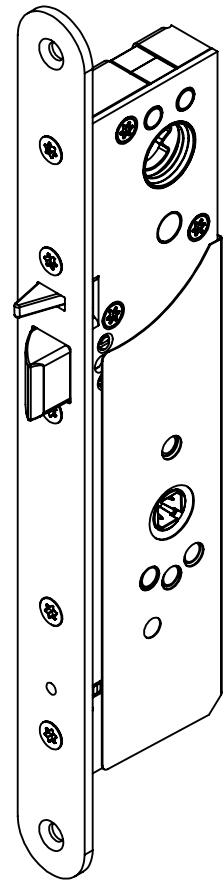
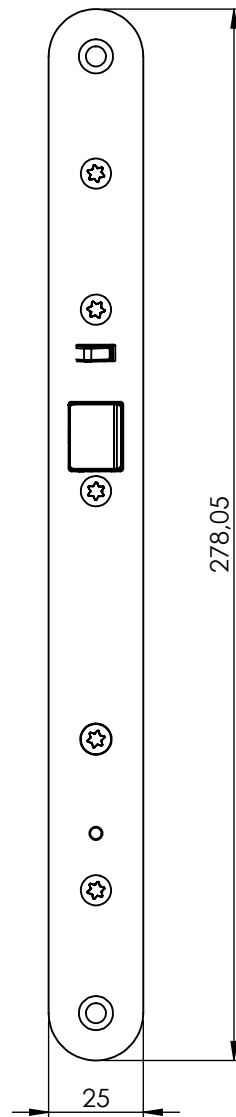
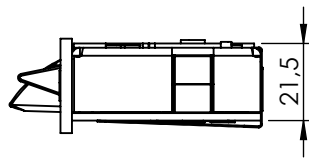
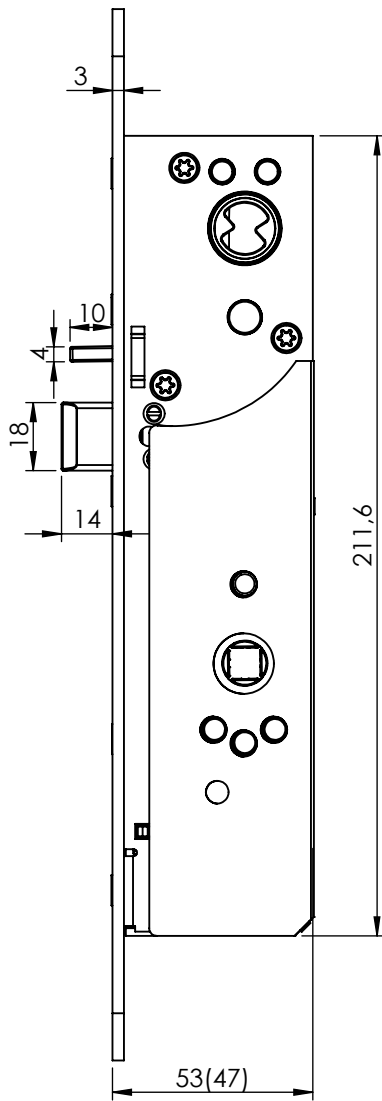


Minna Sallinen, VP Product and Service Solutions

Appendix 1 Dimensional drawings

If not mentioned otherwise, dimensions do not include coating

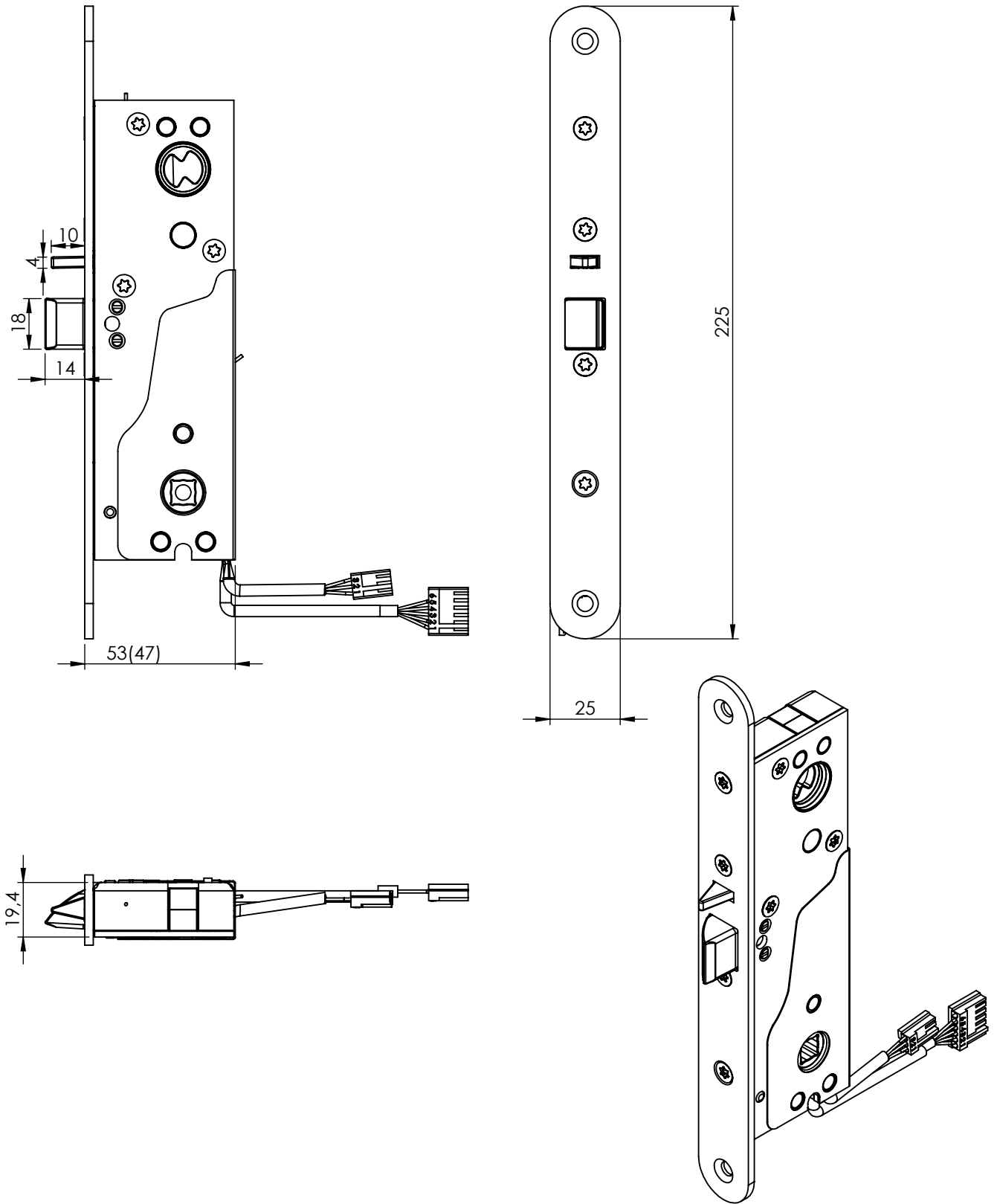
This work is copyright and no part may be reproduced, by any process, nor may any other exclusive right be exercised without the permission of ASSA ABLOY.



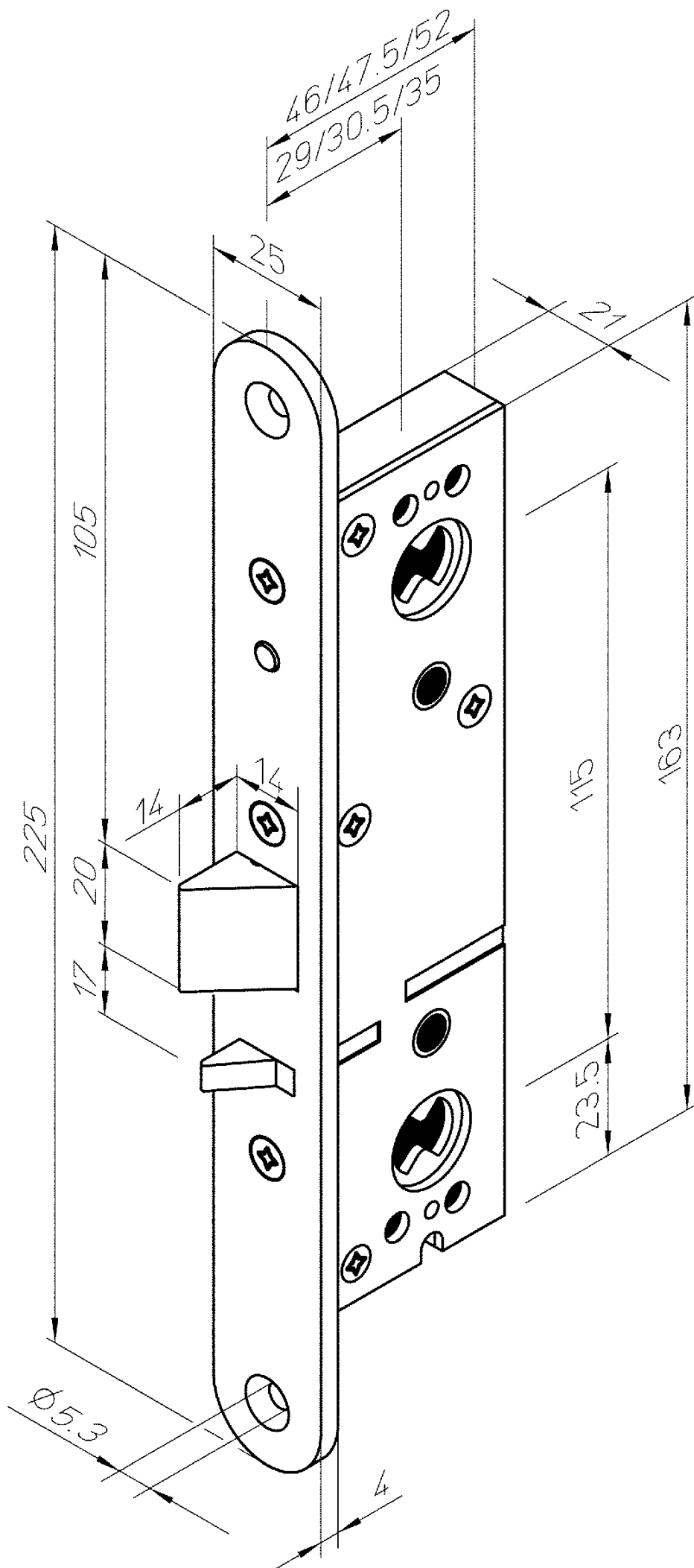
Surface treatment:			Material:			General tolerance: ISO 8015 ISO 2768-mH	
Volume: 137542.26	Mass: 821.93	Surface area: 205894.69	Created (YYYY-MM-DD):	Designed by:	Drawn by:	Scale: 1:2 (A4)	Projection:
ASSA ABLOY			EL495FU			Alternate ID	
						Document ID	Rev.: 1

If not mentioned otherwise, dimensions do not include coating

This work is copyright and no part may be reproduced, by any process, nor may any other exclusive right be exercised without the permission of ASSA ABLOY.



Surface treatment:			Material:			General tolerance: ISO 8015 ISO 2768-mH		
Volume: 98286.24 mm ³	Mass: 692.60 gram	Surface area: 130188.69 mm ²	Created (YYYY-MM-DD):	Designed by:	Drawn by:	Scale: 1:2 (A4)	Projection:	
ASSA ABLOY			EL480, EL482			Alternate ID		
						Document ID		Rev.: 1



LC130, LC130x, LC301F, LC301Fx, LC303, LC303x, LC132, LE314, LE314x

