

EN 16035: 2012 HARDWARE PERFORMANCE SHEET EL596FU No: HPS210001-00

Building hardware identification

Position	Declaration	Required product information		Note/additional information																		
1	<i>Manufacturer</i>	ABLOY Oy, Joensuu, Finland		See 5.2.1																		
2	<i>Manufacturer's product reference as shown in fire test evidence</i>	Tested product: EL596FU Product No: A000303545 Product family: EL596, EL596FL, EL581, EL583, BL581, BL583, OP193, LC102, LC190, LC193, LC194, LC197, LC290, LC291, LE180, LE184		See 5.2.2																		
3	<i>Type of building hardware</i>	Electric lock		See 5.2.3																		
4	<i>Relevant EN standard</i>	EN 14846:2008		See 5.2.4																		
5	<i>Classification (in accordance with relevant hardware product standard)</i>	EN 14846	Classification <table border="1"> <thead> <tr> <th>1</th> <th>2</th> <th>3</th> <th>4</th> <th>5</th> <th>6</th> <th>7</th> <th>8</th> <th>9</th> </tr> </thead> <tbody> <tr> <td>3</td> <td>S</td> <td>5</td> <td>F</td> <td>-</td> <td>L</td> <td>3</td> <td>1</td> <td>1</td> </tr> </tbody> </table>	1	2	3	4	5	6	7	8	9	3	S	5	F	-	L	3	1	1	See 5.2.5 Characteristic: Category of use/Durability and load on latchbolt/Door mass and closing force/Suitability for use on fire / smoke doors/Safety/ Corrosion resistance, temperature and humidity/Security/Security - electrical function/Security - electrical manipulation
1	2	3	4	5	6	7	8	9														
3	S	5	F	-	L	3	1	1														
6	<i>Main dimensions</i>	Dimensions (height x width x depth) 159 mm x 20.5 mm x 82 mm. (Technical drawings with dimensions, e.g. lock body dimensions, etc. attached)		See 5.2.6																		
7	<i>Remarks</i>	EL596FU represents the whole product family as it has biggest fire load, with largest main dimensions and largest cutout on fire door. EL596FL and EL596 are equal size, fire load is equal (EL596FL) / smaller (EL596) EL596FU was tested without any intumescent seal. EL581, EL583, BL581, BL583 are smaller size. Dimensions: 158 mm x 20 mm x 82 mm LC102, LC190, LC193, LC194, LC197, LC290, LC291 are smaller size Dimensions: 152 mm x 19 mm x 80 mm OP193, LE180, LE184 are smaller size Dimensions: 152 mm x 19 mm x 81 mm		See 5.2.7																		

Test evidence used

This hardware performance sheet is only valid for doorset and/or openable windows as described in the table below.

1	<i>Material of doorset and/or openable window</i>	<input checked="" type="checkbox"/> Steel doorset and/or openable window
		<input type="checkbox"/> Timber doorset and/or openable window
		<input type="checkbox"/> Aluminium doorset and/or openable window
		<input type="checkbox"/> Metal framed glazed doorset and/or openable window
		<input type="checkbox"/> other
2	<i>Mounting of building hardware</i>	<input type="checkbox"/> surface mounted, exposed to fire
		<input type="checkbox"/> surface mounted, not exposed to fire
		<input checked="" type="checkbox"/> mortice mounted, fire on both sides
3	<i>Type of doorset and/or openable window</i>	<input checked="" type="checkbox"/> hinged
		<input type="checkbox"/> pivoted
		<input type="checkbox"/> sliding
		<input checked="" type="checkbox"/> single leaf doorset
		<input type="checkbox"/> double leaf doorset
		<input type="checkbox"/> primary (active) leaf
		<input type="checkbox"/> secondary (inactive) leaf
<input type="checkbox"/> other type		

Performance level(s)

	Performance	Fire resisting and/or smoke control doorset and/or openable window test evidence	Building hardware test evidence	Smoke control doorset and/or openable window test evidence	Durability of Self-closing
1	<i>Test method:</i>	<input checked="" type="checkbox"/> EN 1634-1	<input type="checkbox"/> EN 1634-2	<input type="checkbox"/> EN 1634-3	<input type="checkbox"/> EN 1191 <input type="checkbox"/> EN 12605
2	<i>Test report no.:</i>	EUF129-19002003-T1			
3	<i>Test report issued by:</i>	Eurofins Expert Services			
4	<i>Classification</i>	EN 13501-2		EN 13501-2	EN 14600
		E: 120 min EW: 120 min EI1: 90 min EI2: 120 min		<input type="checkbox"/> Sa <input type="checkbox"/> Sm	<input type="checkbox"/> C0 (zero) <input type="checkbox"/> C1 (500) <input type="checkbox"/> C2 (10.000) <input type="checkbox"/> C3 (50.000) <input type="checkbox"/> C4 (100.000) <input type="checkbox"/> C5 (200.000)
5a	<i>Width of primary leaf (mm):</i>	904			
5b	<i>Width of secondary leaf (mm)</i>	-			
6	<i>Door leaf height (mm)</i>	2001			
7	<i>Door thickness (mm)</i>	114			
8a	<i>Mass of primary leaf (kg)</i>				
8b	<i>Mass of secondary leaf (kg)</i>	-			
9	<i>Restrictions:</i>	-			
10	<i>Installation instructions</i>	EL596, EL596FU, EL596FL installation (No. 951223)			
11	<i>Certification body for relevant hardware</i>	Eurofins Expert Services Oy			
12	<i>Prepared by:</i>	Abloy Oy			
13	<i>Date:</i>	2021-08-17			

Joensuu 2021-08-17
On behalf of Abloy Oy



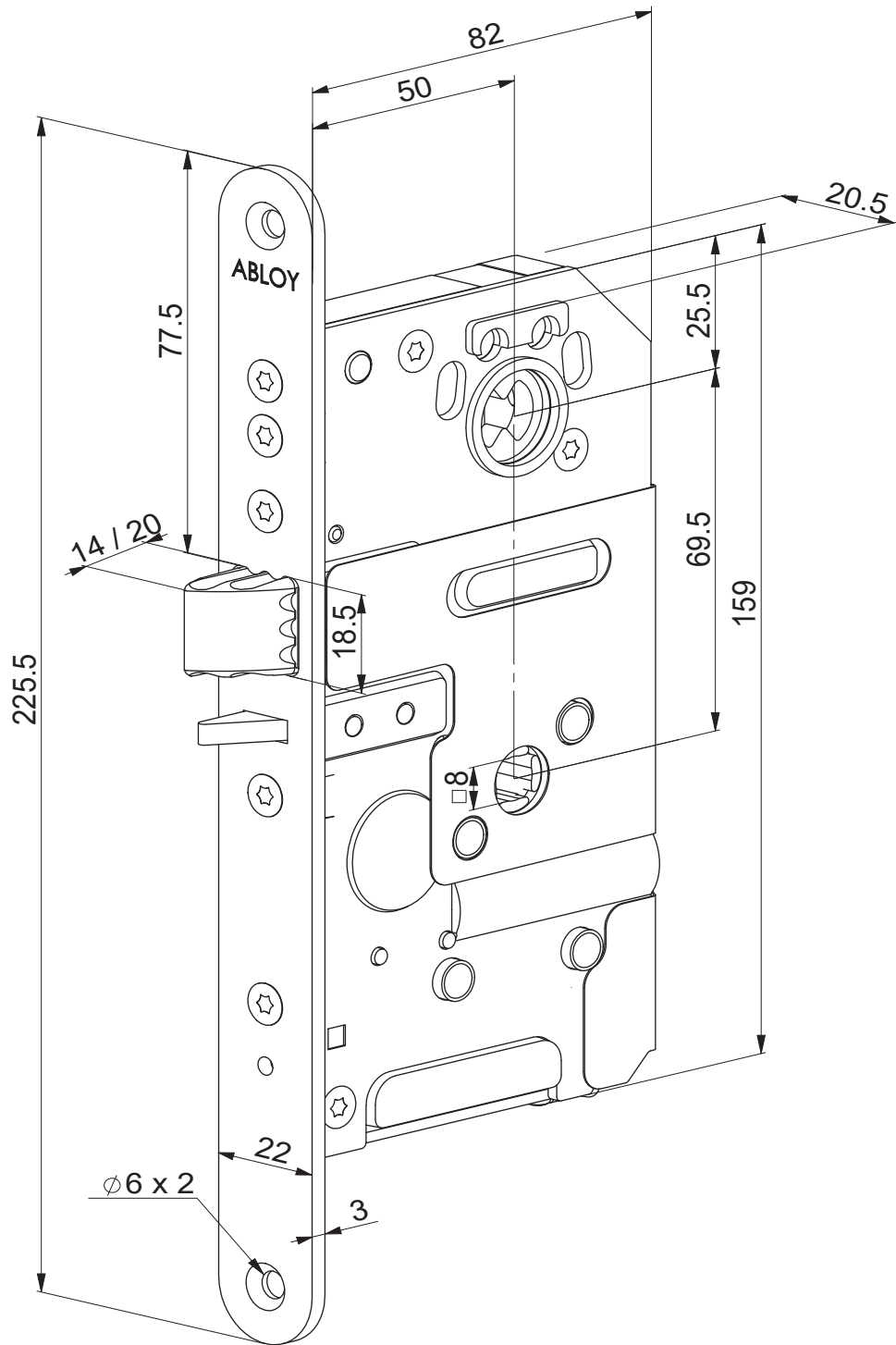
Jari Kervinen, VP Mechanical Solutions

Joensuu 2021-08-17
On behalf of Abloy Oy



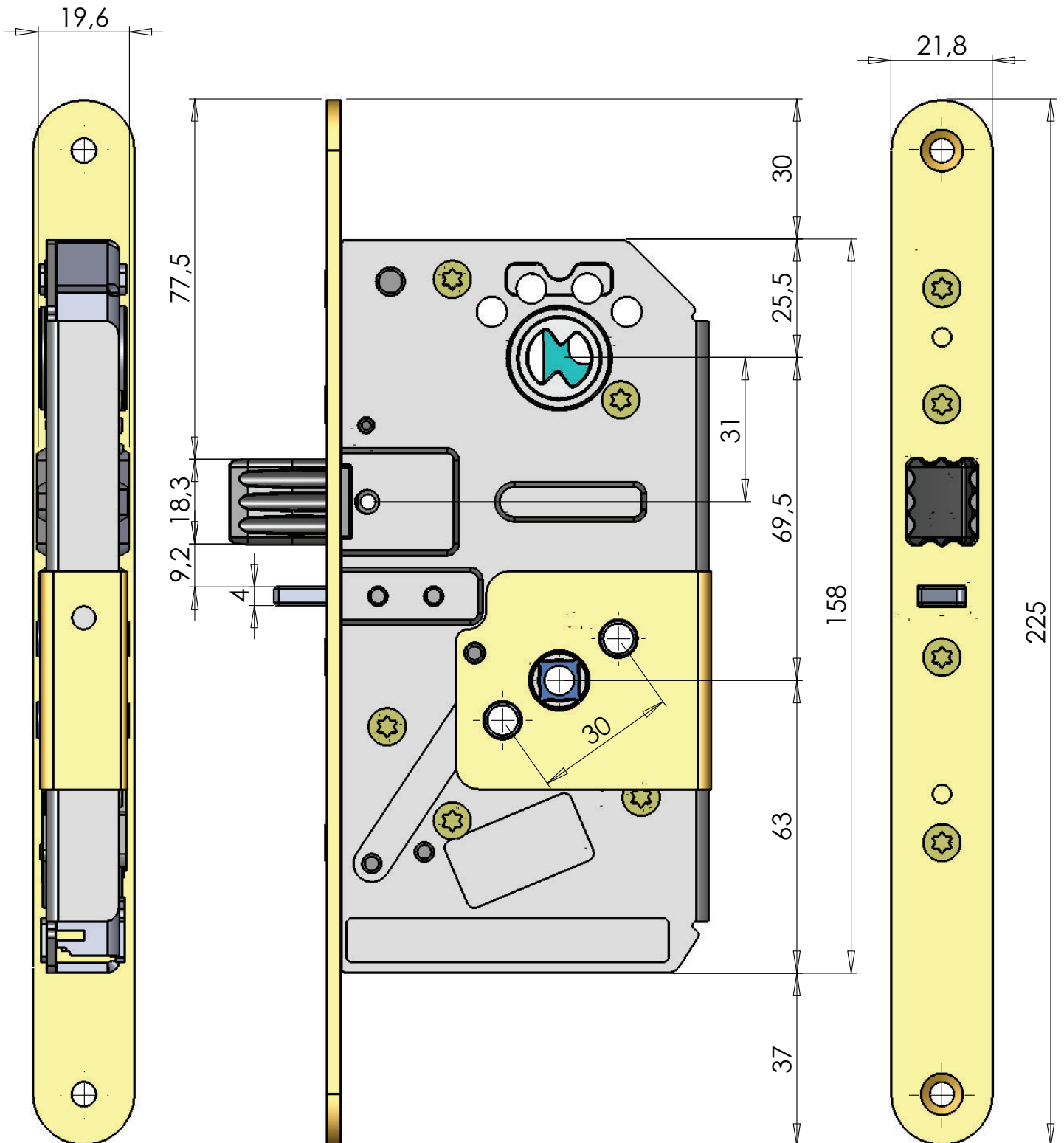
Minna Sallinen, VP Product and Service Solutions

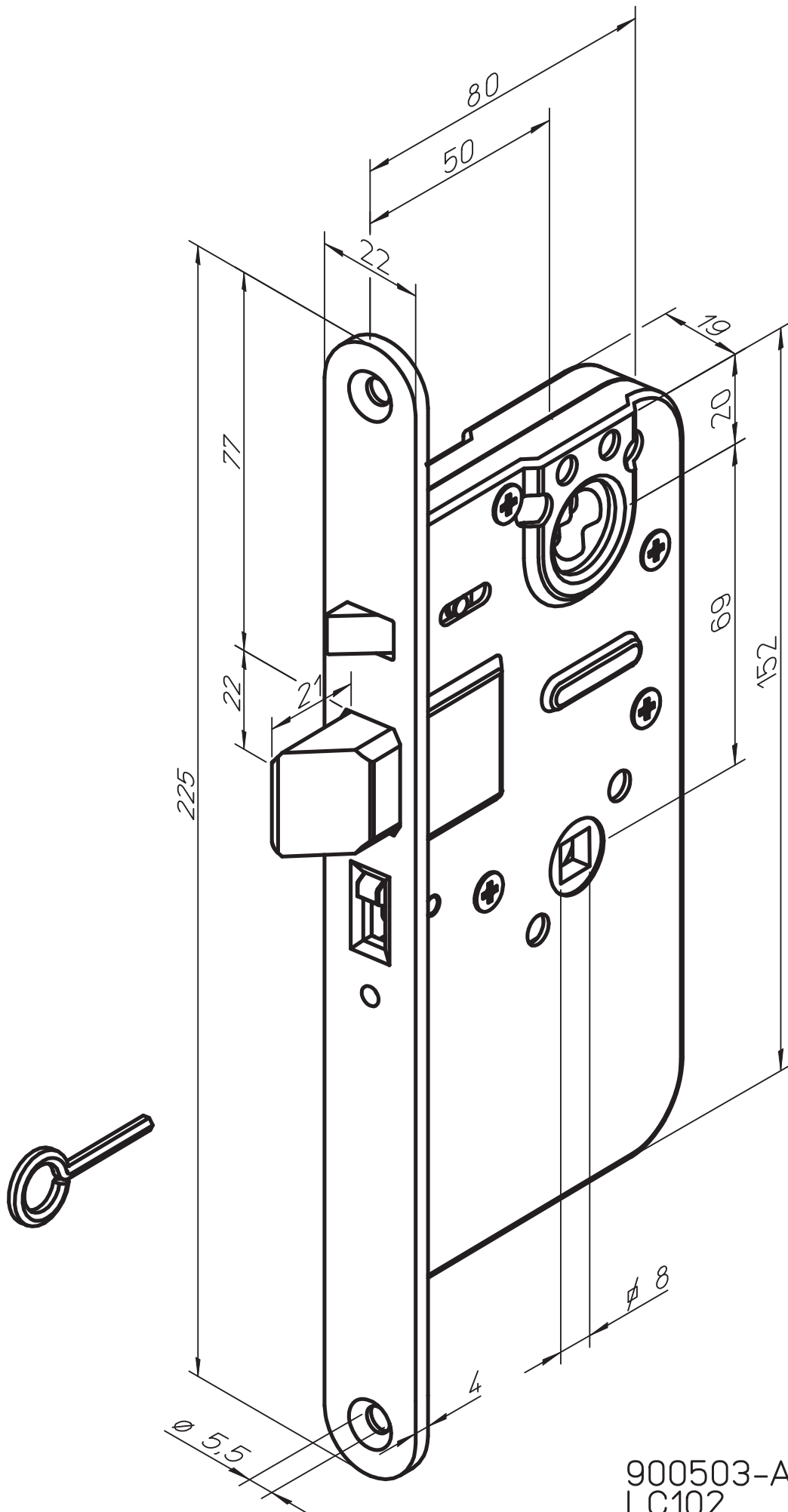
Appendix 1 Dimensional drawings



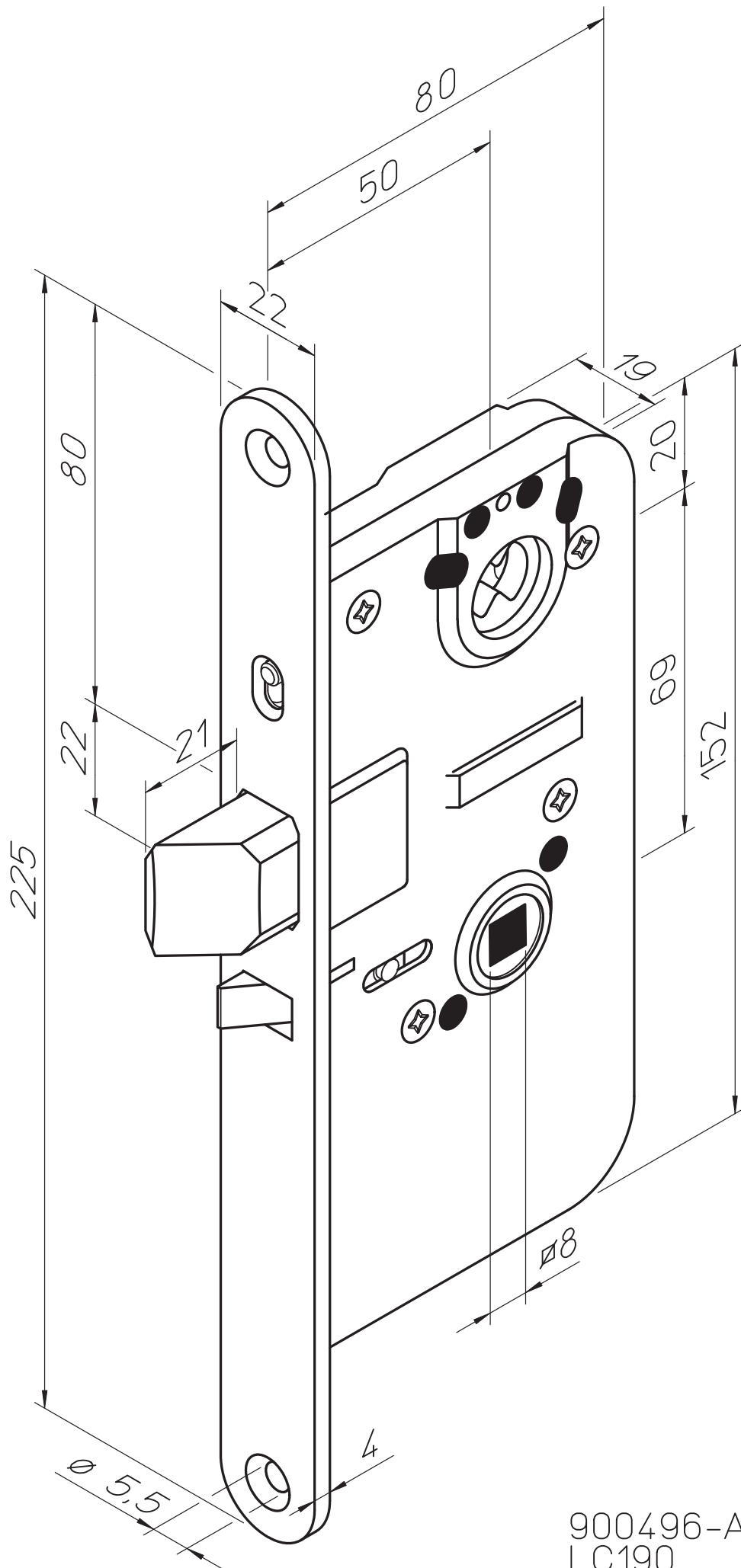
EL596, EL596FU, EL596FL

ABLOY® EL581,-3

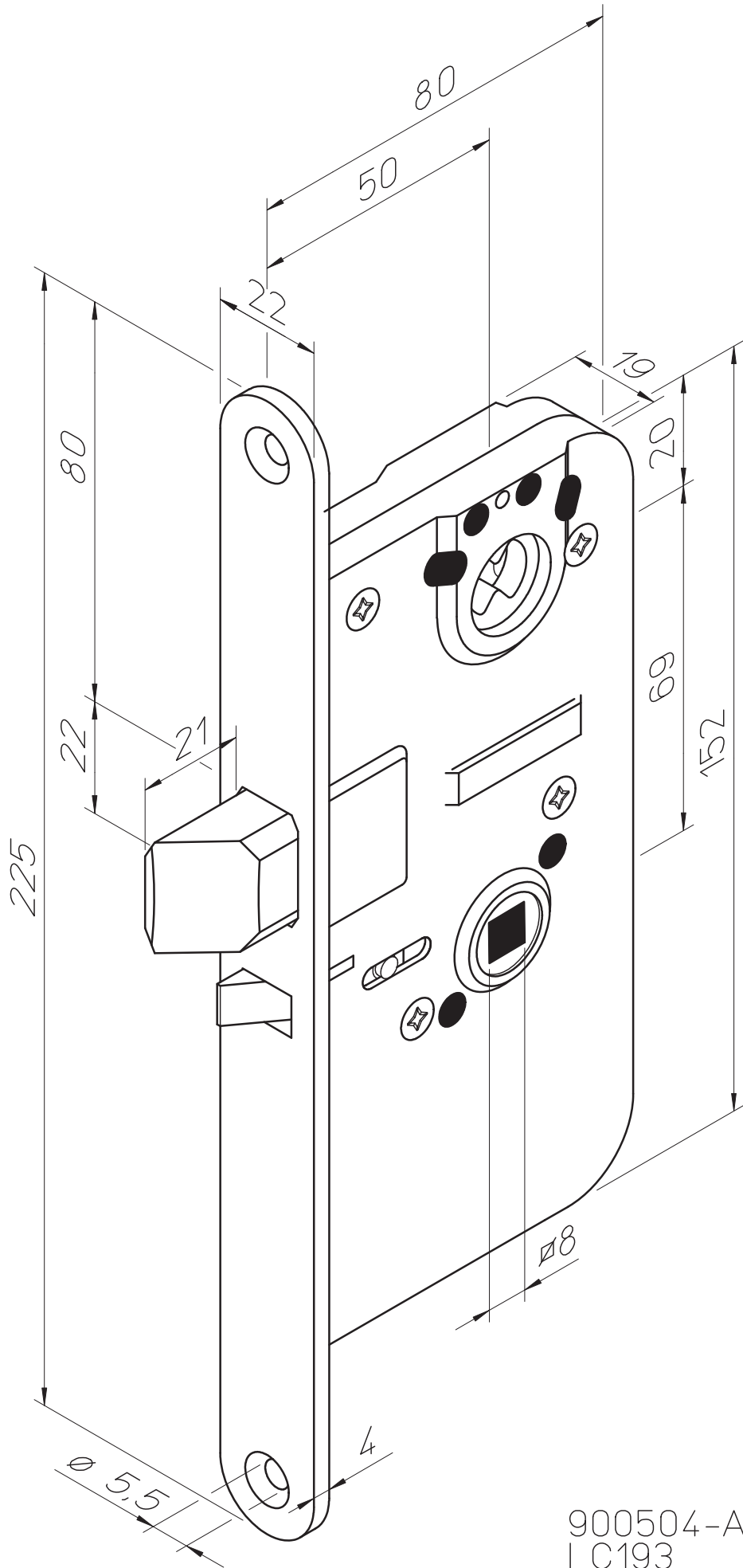




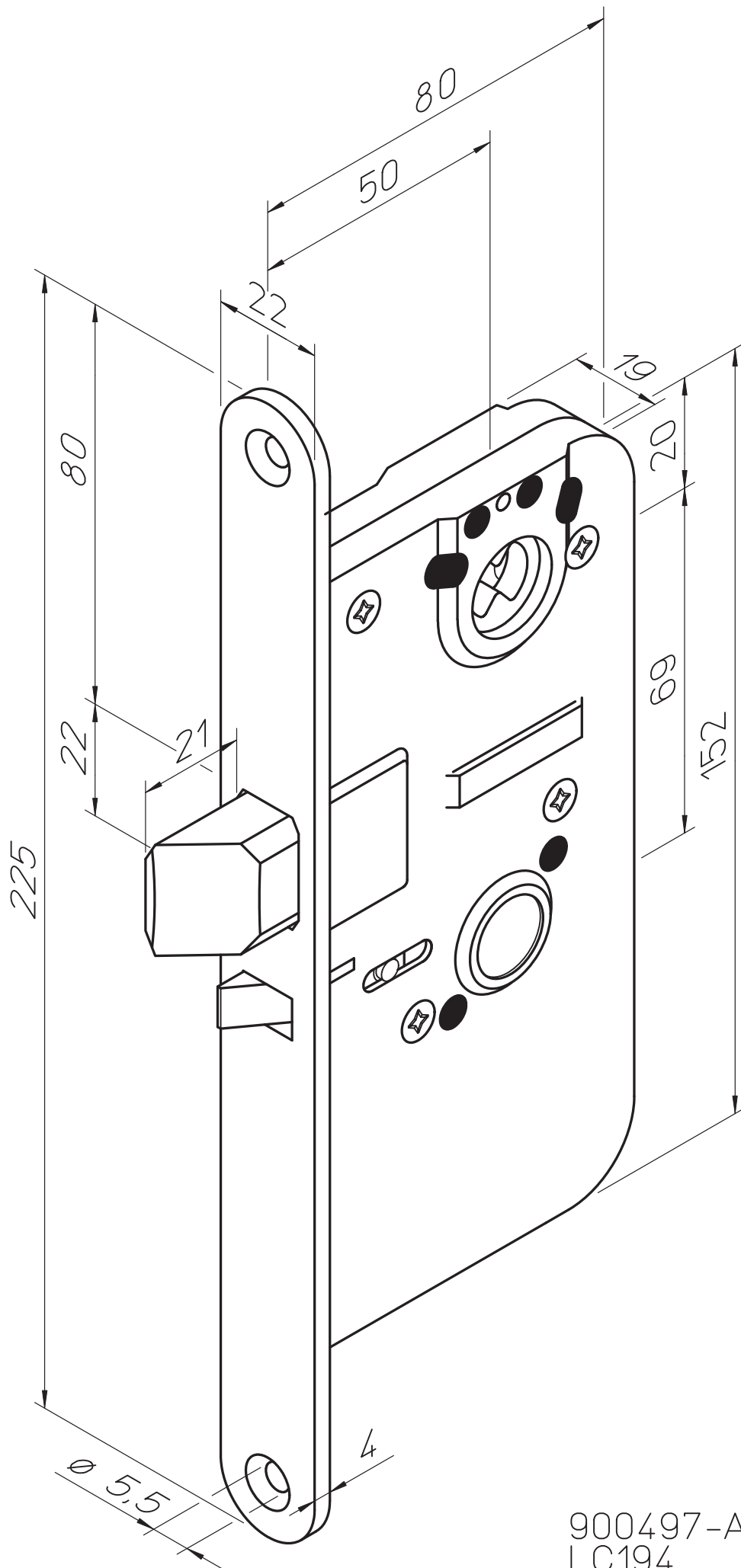
900503-A
LC102



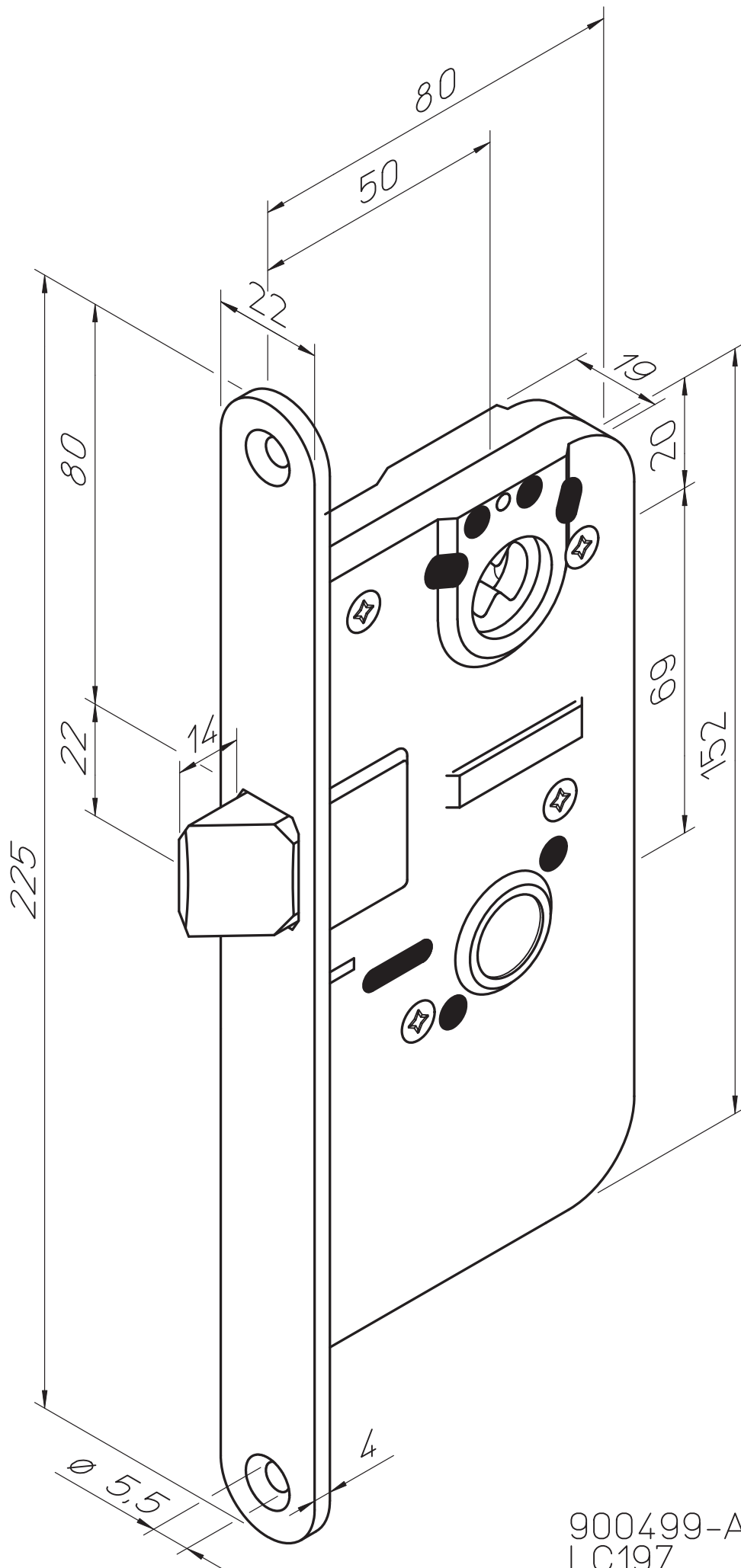
900496-A
LC190



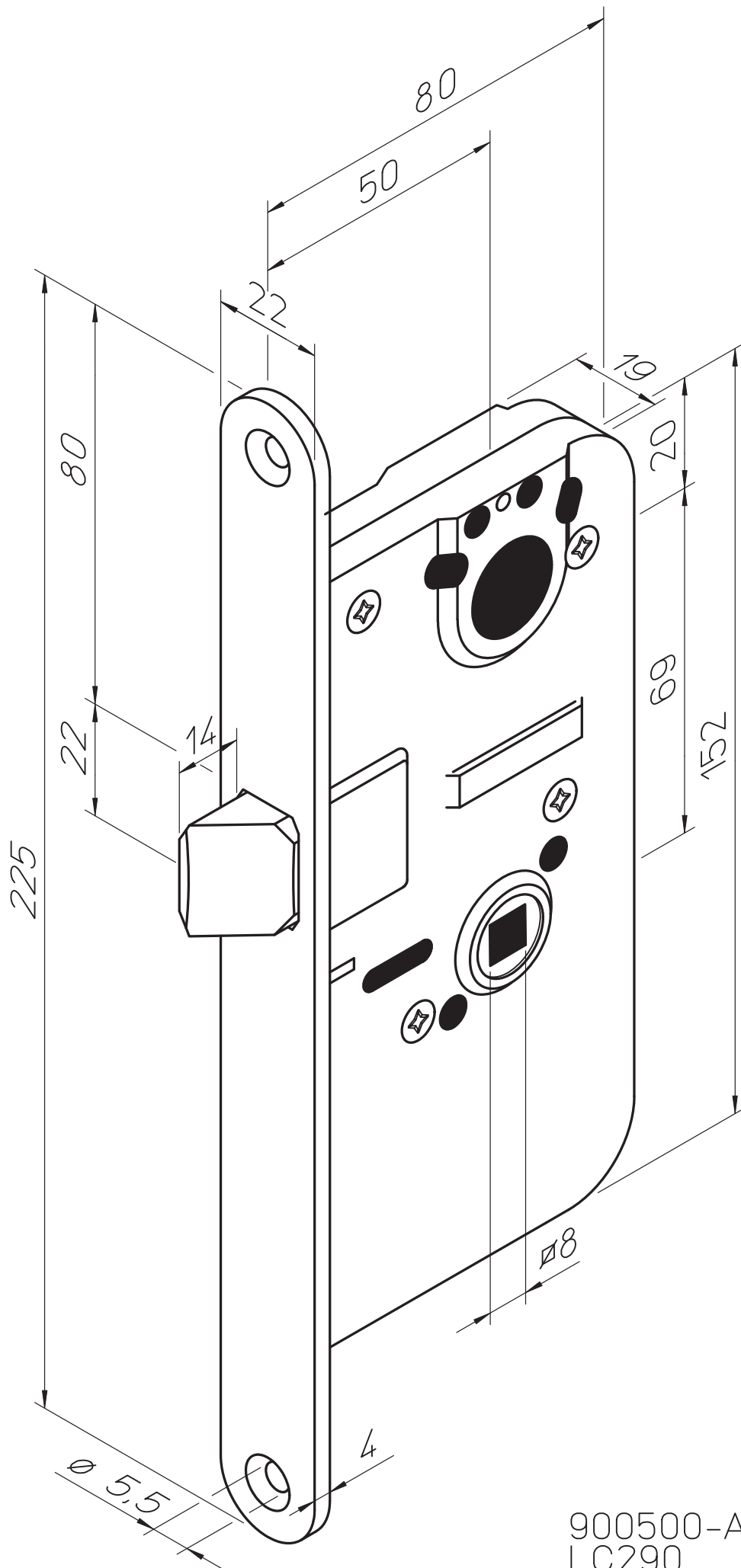
900504-A
LC193



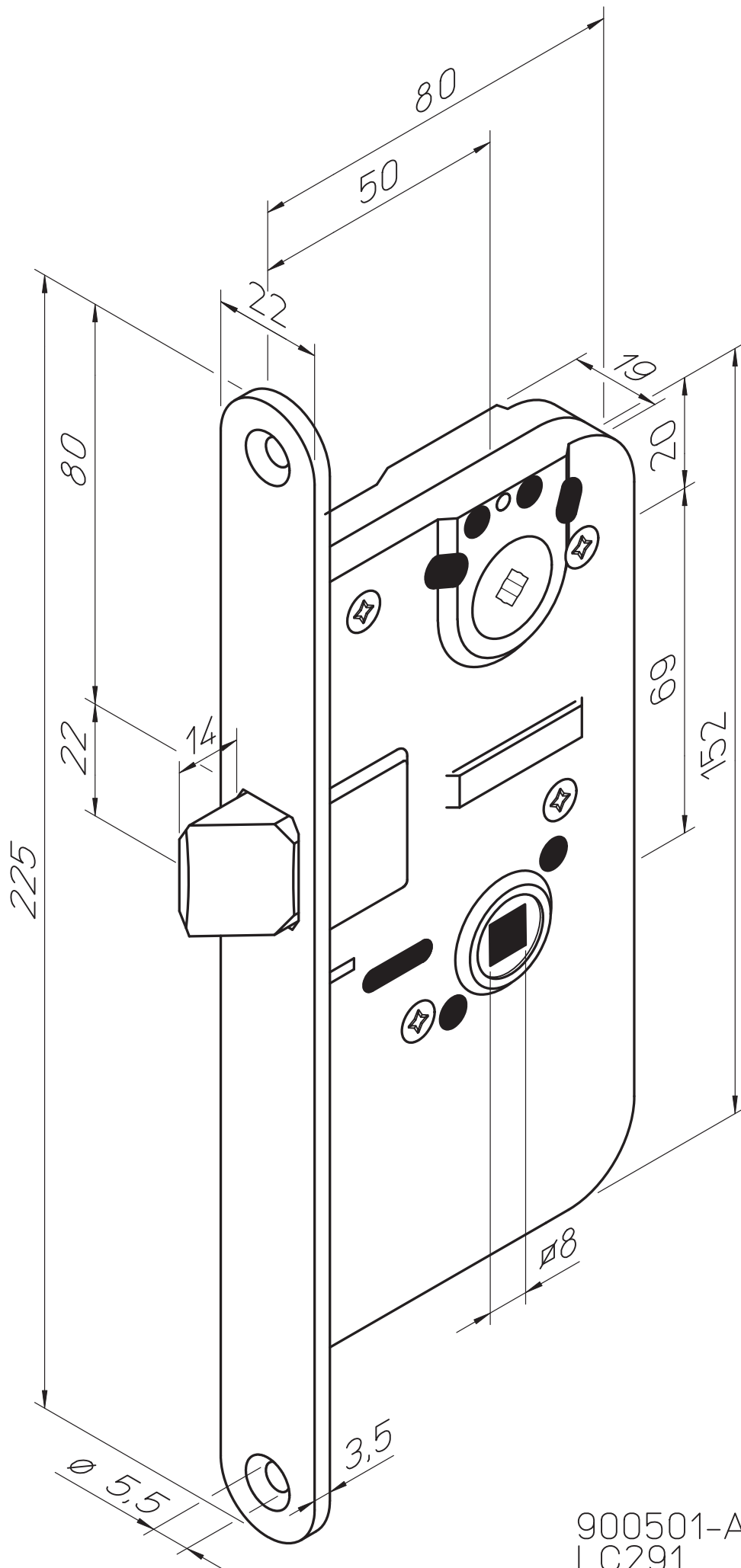
900497-A
LC194



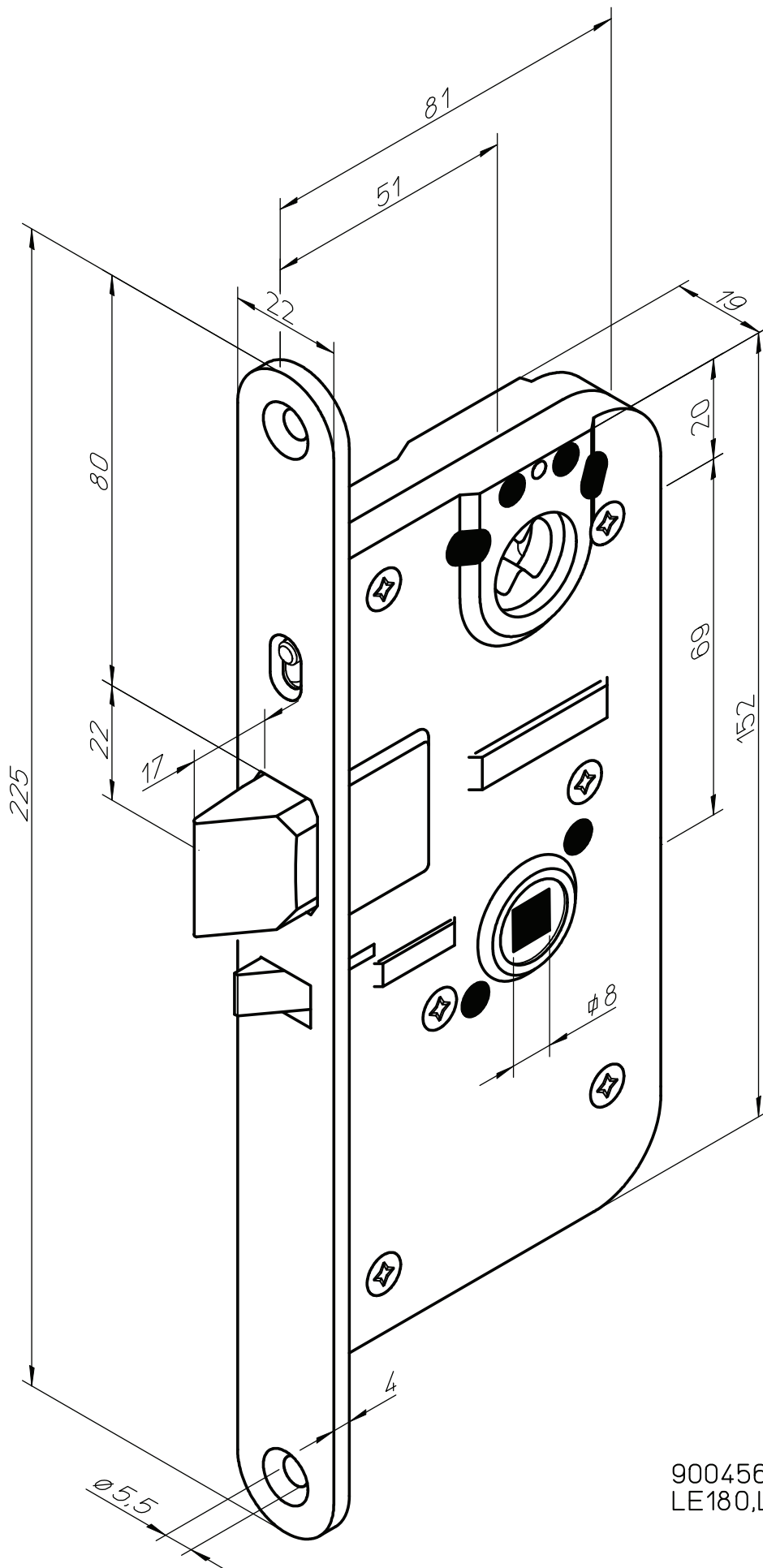
900499-A
LC197



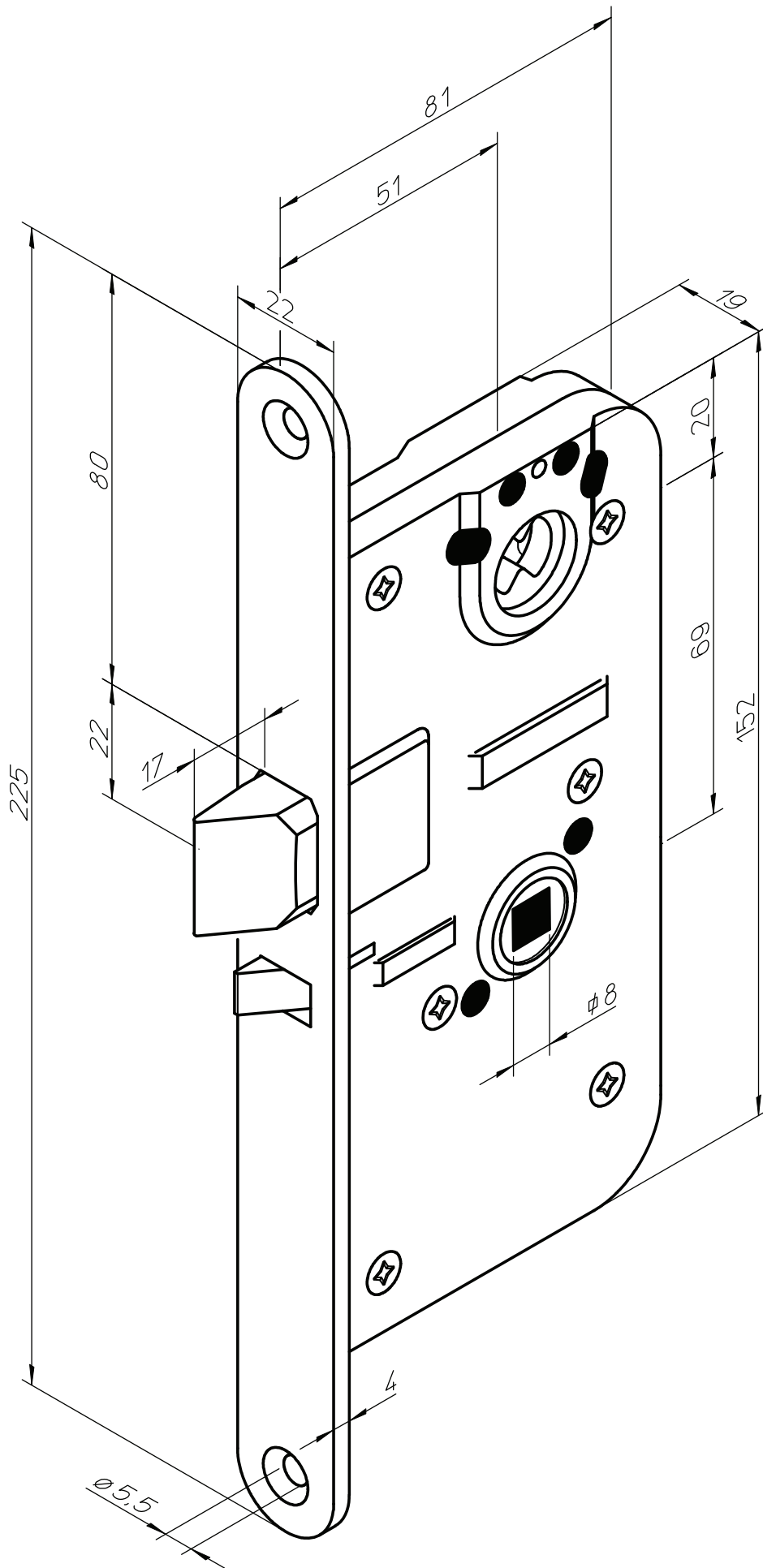
900500-A
LC290



900501-A
LC291



900456
LE180,LE185



900457
LE184