

# ABLOY



## ABLOY<sup>®</sup> PADLOCKS

The strongest link





**“What could  
happen if there is  
a gap in your  
security?”**

# SECURITY IS THE KEY TO SUCCESS

---

Everyone needs to be secure. Governments, companies, organizations and private individuals.

Criminal acts, violence and breakdowns in information transfer, production and distribution occur increasingly often in everyday life – good reason to ensure that there are no gaps in your security. Everyone can then concentrate on what is most important to them. Without having to worry.



**“Padlocks supplied have exceeded our expectations**

due to its hardness, durability and its capability of locking planning into a system. They accommodate perfectly to our climate conditions in the Canary Island, i.e. sea salt, humidity and high temperatures.”

– ENDESA High Power Network

**“Reliable, durable, and high security**

due to the unique disc cylinder, ABLOY padlocks have met our needs and performed well in a range of weather extremes from coast to coast.”

– Chris Cooper, TELUS Chief Security Office.







The operational reliability of Abloy's unique detainer disc mechanism has been tested both in the laboratory and in demanding locations all over the world.





# THE SAME KEY OPERATES ALL LOCKS

---

Thanks to the patented detainer disc mechanism, different sizes of ABLOY padlocks can – if required – be operated with a single key.

This enables complete solutions. The key operating padlocks can also be used to secure doors, items of furniture and cabinets. Significant reductions can be achieved in both the number of keys required and associated costs.

The ABLOY key system can offer up to 1.97 billion key differs. This means that everyone living in Europe and the Americas could be allocated a unique ABLOY key with individual access rights.

## EXTRA BENEFITS FROM THE DETAINER DISC SYSTEM

---

In the ABLOY PROTEC2 CLIQ system, both the key used for every opening event and the time are recorded in an access register. System administration, key programming and changes to access rights can be carried out in real time at any location anywhere in the world. Mechanical re-keying is unnecessary, as lost keys can easily be deactivated or reactivated when found.







# ULTIMATE WEATHER RESISTANCE

---

The SUPER WEATHER PROOF (SWP) padlock range is an excellent example of the proactive way in which Abloy Oy and its customers interact.

Developed in response to customer feedback, the SWP range is designed for use where padlocks must resist extreme cold and excessive amounts of dirt, locations in which traditional solutions fall short. SWP padlocks feature an extremely tight, no compromise construction. The weather seal cap and other innovative protective measures mean that they exceed IP68 requirements for no ingress of dust and continuous immersion in water.

SWP padlocks can also be components in an ABLOY PROTEC2 CLIQ system. This solution is ideally suited to large-scale applications requiring both access supervision and flexibility in handling access rights.



ABLOY padlocks are available in several grades and comply with different standards.



# PL362

## Strongest padlock in the market

For applications where maximum security is required. Case hardened steel body with raised shoulders and a toploaded cylinder provide the highest level of security and protection. Typical applications include containers, railway wagons, trucks, heavy sliding doors and military uses.

PL362 padlock is equipped with a 15 mm diameter, case hardened boron steel shackle.



ABLOY Grade 6 padlocks meet the requirements of the following standards: EN12320 Grade 6, SSFN014 Grade 5





# PL350

## Extra strong steel padlock for demanding applications

Case hardened steel body provides tough protection for high security applications including shipping containers, railway wagons, trucks, and warehouses.

PL350 padlocks are equipped with a 14 mm diameter, case hardened boron steel shackle.







# PL342

## Strong, case hardened steel padlock with protected shackle

The extended case hardened steel body surrounding the shackle makes this padlock virtually impregnable against attack by cutting and prying tools. Suitable for heavy sliding doors, railway wagons, trucks and warehouses.

PL342 padlocks are equipped with a 10 mm diameter, case hardened boron steel shackle.



# PL340

SWP

## Tough, surface hardened steel padlock

Extra-strong padlocks for applications where high security is required. Ideal for construction equipment, tractor trailers and remote storage areas, trucks, storage bins, roller shutter doors, motorcycles and warehouses. The case hardened steel body is highly resistant to all types of physical attack.

PL340 padlocks are equipped with a 10 mm diameter, hardened boron steel shackle.



Abloy Grade 4 padlocks meet the requirements of the following standards: EN12320 Grade 4, SSFN014 Grade 3





# PL341

## Tough brass padlock with chrome finish

A strong padlock for the doors, windows and gates of storage facilities, trailers, protective bars, storage lockers, boats, roller-shutter doors and similar applications.

PL341 padlocks feature a 10 mm diameter, case hardened boron steel shackle.



# PL330



## Medium strength brass padlock with chrome finish

An all purpose padlock of durable construction for storage doors, motorcycles, gates, trailers, power station switches and similar applications.

PL330 padlocks feature an 8 mm, hardened boron steel shackle. They are also available with non sparking brass or stainless steel shackle. PL330/100 is not tested for a security grading.







# PL320

Brass padlock with chrome finish for everyday use

A multi purpose padlock ideal for cash boxes, tool boxes, storage cabins, light machinery and lockers. PL320/50 padlocks are not tested for security grading.

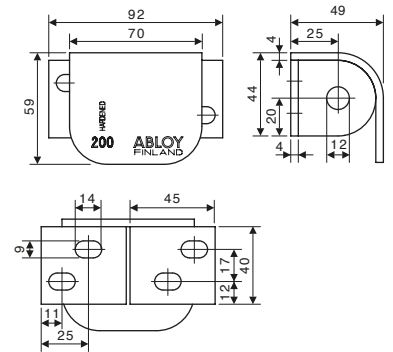


# STAPLE



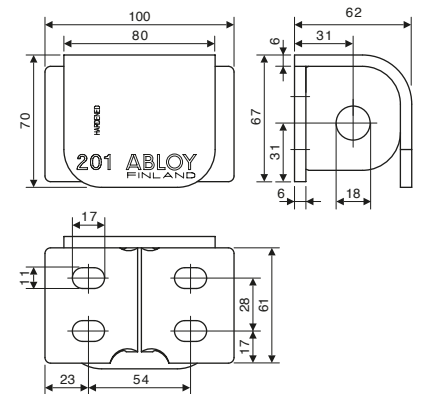
## PL200, PL202

- 12 mm shackle hole
- Grade 3
- PL200 for right-handed doors
- PL202 for left-handed doors
- For frame fixing
- Zinc-plated, polyester-coated case-hardened steel
- Fixing screws included



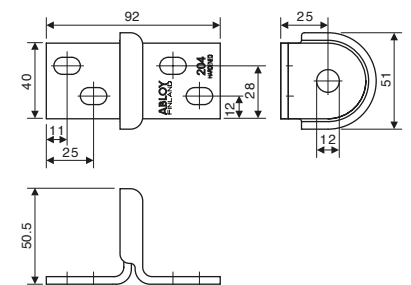
## PL201, PL203

- 18 mm shackle hole
- Grade 4
- PL201 for right-handed doors
- PL203 for left-handed doors
- For frame fixing
- Zinc-plated, polyester-coated case-hardened steel
- Fixing screws included



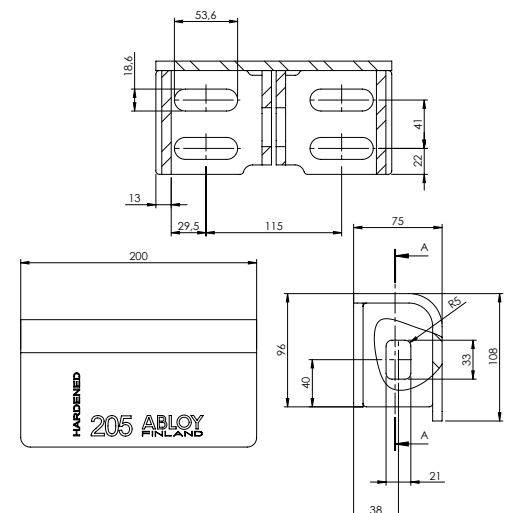
## PL204

- 12 mm shackle hole
- Non-handed
- For frame fixing
- Zinc-plated, polyester-coated case-hardened steel
- Fixing screws included



## PL205, PL206

- 21 mm shackle hole
- Grade 6
- PL205 for right-handed doors
- PL206 for left-handed doors
- For frame fixing
- Zinc-plated, polyester-coated case-hardened steel
- Fixing screws included







## COVERS

---

808248 Dust cover PL330  
805649 Dust cover PL340, PL341, PL342

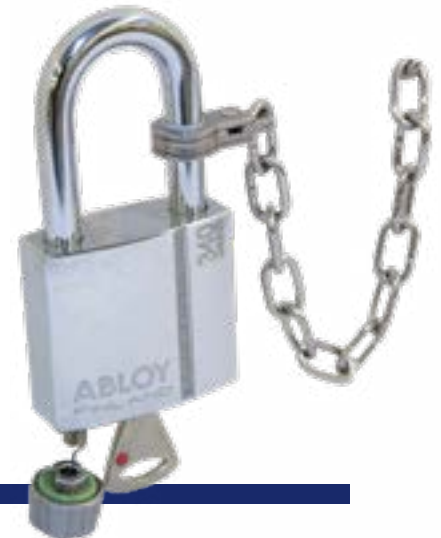


413391 Body cover (orange) PL330  
932031 Body cover (orange)n PL340  
932714 Body cover (orange) PL350



Available with different colors.

928615 Shackle cover (black) PL340  
928616 Shackle cover (black) PL350  
928673 Body and shackle cover  
(black) PL340  
928672 Body and shackle cover  
(black) PL350



## CHAINS

---

Attachment chain (length 260 mm) makes it easier to ensure that a padlock does not get mislaid while the object that it secures is open. These chains must not be used as part of a security installation.

Available chains:

825900 for a 8 mm shackle.  
825280 for a 10 mm shackle.  
6000738 for a 14 mm shackle.

# PROVEN DURABILITY

ABLOY® padlocks have been designed and manufactured to not only meet the requirements of the EN12320 padlock standard, but exceed as the requirements of our own tests are significantly higher.

ABLOY® padlocks continued to operate smoothly throughout exhaustive durability tests such as the acetic acid salt-spray test – they are therefore the best possible alternative for use in unprotected locations where the environmental conditions are severe.

Abloy Oy has paid particular attention in design of environmentally friendly production methods.

As a result we use the most modern and environmentally friendly surface plating facility in Finland.

All the operations are qualified with the ISO9001 and ISO14001 certifications.

## SECURITY GRADES ACCORDING TO THE EN12320 PADLOCK STANDARD

Requirements	Unit	1	2	3	4	5	6
Minimum number of differs		300	1000	2500	5000	10000	20000
Pulling of shackle/staple	kN	3	5	15	30	70	100
Twisting of shackle/staple	Nm	40	100	200	600	1200	6000
Cutting of shackle/staple	kN	6	15	25	45	70	45
Blow on shackle/staple (weight/g x height/mm) Test temperature	x5 times			1250 x 800 -20°C	3050 x 1000 -20°C	6550 x 1400 -40°C	7150 x 1500 -40°C
Blow on lock body (weight/g x height/mm) Test temperature	x5 times			1250 x 800 -20°C	3050 x 1000 -20°C	6550 x 1400 -40°C	7150 x 1500 -40°C
Load on cylinder plug or locking mechanism	kN			4	5	10	15
Drilling	min				2	4	8
Sawing	min				2	4	2
Torque resistance of cylinder plug	min		2,5	5	15	20	30







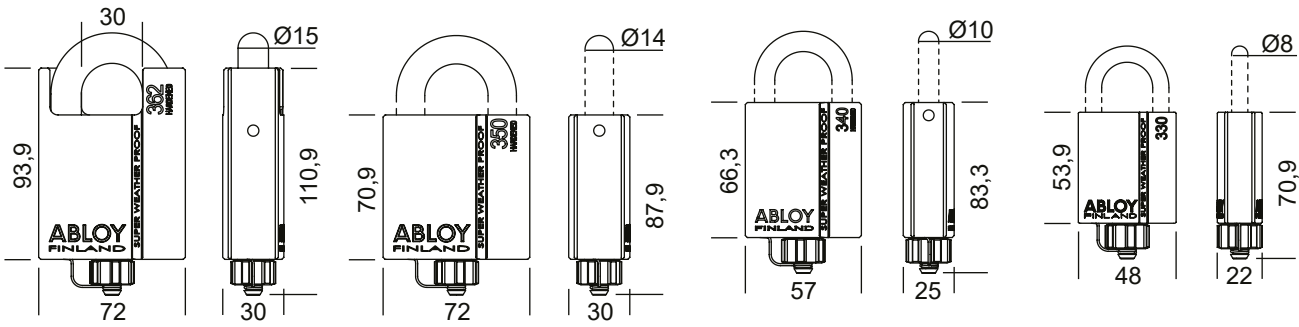
MODEL		BODY	
		MATERIAL	FINISH
Product code	EN		
<b>PL (standard)</b>			
PL318 / 20	*)	Plastic / zinc	-
PL3021 / 76	*)	Brass	-
PL3020 / 35	2	Brass	-
PL320 / 25	2	Brass	Chrome
PL320 / 50	*)	Brass	Chrome
PL321 / 20	*)	Brass	Chrome
PL321 / 50	*)	Brass	Chrome
PL330 / 25	3	Brass	Chrome
PL330 / 25	*)	Brass	Chrome
PL330 / 25	*)	Brass	Chrome
PL330 / 50	3	Brass	Chrome
PL330 / 50	*)	Brass	Chrome
PL330 / 100	*)	Brass	Chrome
PL330 / 100	*)	Brass	Chrome
PL340 / 25	4	Case-hardened steel	Chrome
PL340 / 50	4	Case-hardened steel	Chrome
PL341 / 25	3	Brass	Chrome
PL341 / 50	3	Brass	Chrome
PL342 / 25	4	Case-hardened steel	Chrome
PL350 / 25	5	Case-hardened steel	Chrome
PL350 / 50	5	Case-hardened steel	Chrome
PL362 / 25	6	Case-hardened steel	Chrome
<b>PLI (shackle sealed)</b>			
PLI330 / 25	3	Brass	Chrome
PLI330 / 50	3	Brass	Chrome
PLI340 / 25	4	Case-hardened steel	Chrome
PLI340 / 50	4	Case-hardened steel	Chrome
PLI350 / 25	5	Case-hardened steel	Chrome
PLI350 / 50	5	Case-hardened steel	Chrome
<b>PLM (shackle sealed and weather seal cap)</b>			
PLM330 / 25	3	Brass	Chrome
PLM330 / 50	3	Brass	Chrome
PLM340 / 25	4	Case-hardened steel	Chrome
PLM340 / 50	4	Case-hardened steel	Chrome
PLM350 / 25	5	Case-hardened steel	Chrome
PLM350 / 50	5	Case-hardened steel	Chrome
<b>PLLW shackle sealed and weather seal cap (IP68 ABLOY® PROTEC2 CLIQ)</b>			
PLLW330 / 25	*)	Brass	Chrome
PLLW330 / 50	*)	Brass	Chrome
PLLW340 / 25	*)	Case-hardened steel	Chrome
PLLW340 / 50	*)	Case-hardened steel	Chrome
PLLW341 / 25	*)	Brass	Chrome
PLLW341 / 50	*)	Brass	Chrome
PLLW342 / 25	*)	Case-hardened steel	Chrome
PLLW350 / 25	*)	Case-hardened steel	Chrome
PLLW350 / 50	*)	Case-hardened steel	Chrome
PLLW362 / 25	*)	Case-hardened steel	Chrome
<b>Staples</b>			
PL200	3	Case-hardened steel	Powder paint
PL201	4	Case-hardened steel	Powder paint
PL202	3	Case-hardened steel	Powder paint
PL203	4	Case-hardened steel	Powder paint
PL204	*)	Case-hardened steel	Powder paint
PL205	6	Case-hardened steel	Powder paint
PL206	6	Case-hardened steel	Powder paint

\*) standard PLI = shackle sealed PLM = shackle sealed and weather seal cap





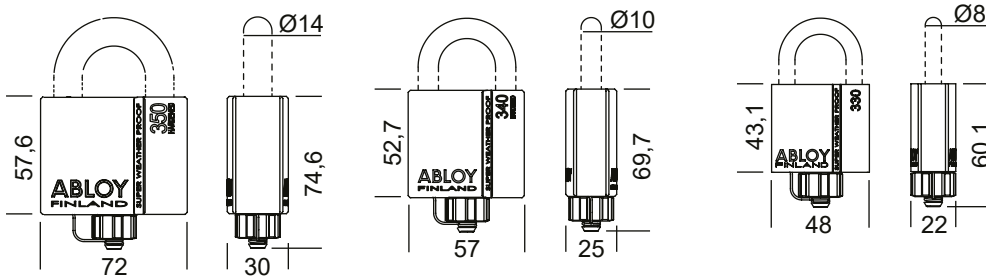
# DIMENSION DRAWINGS



PLM350

PLM340

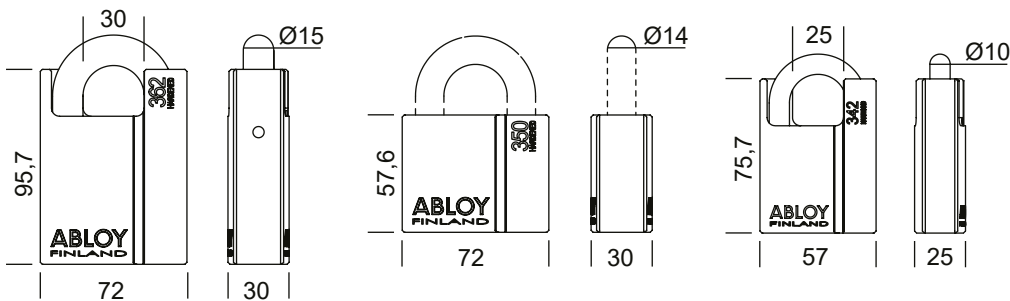
PLM330



PL362

PL350 PLI350

PL342

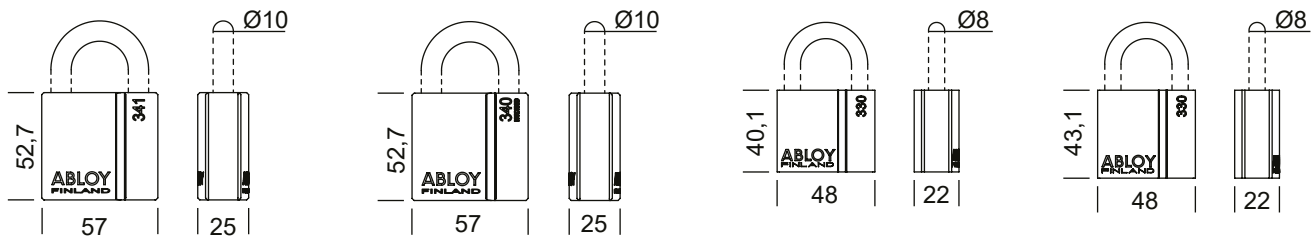


PL341

PL340 PLI340

PL330 (C,N,Z,B)

PL330 (T,U) PLI330

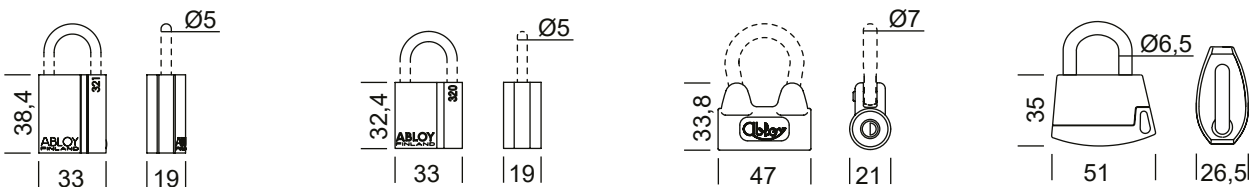


PL321

PL320

3020 3021

PL318



3020

3021

PL318

ABLOY secures people, property, and business operations on land, at sea, and in the air – in all circumstances.

ASSA ABLOY is the global leader in door opening solutions, dedicated to satisfying end-user needs for security, safety and convenience.

**MANUFACTURER:**  
Abloy Oy  
Wahlforssinkatu 20  
P.O. Box 108  
FI-80101 Joensuu | Finland  
Tel. +358 20 599 2501  
[WWW.ABLOY.COM](http://WWW.ABLOY.COM)

